

Mobile weighing range

Functional and precise weighing solutions for material handling equipment



The mobile weighing range offers many solutions designed to weigh anywhere with high precision increasing efficiency and safety.

 **Lifter**[®]
by PRAMAC

Solutions for mobile weighing

Lifter by Pramac

PRAMAC scale solutions offer a complete range for large application fields, designed to guarantee:

- **High performances** up to 0,05% precision, many functions available for increasing efficiency of weighing procedures and saving time.
- **Quality granted by Pramac** 100% tested and calibrated from the factory.
- **High reliability and low maintenance** thanks to the innovative technology without junction box that allows the digital reading of each load cell.
- **High level of customization** thanks to vertical production flow and the possibility to customize forks length and add options that fit with customer's needs.



PLUG&PLAY RETROFIT SOLUTION FOR FORKLIFTS

FORKS SCALE SYSTEM

These sturdy, reliable and **easy to install forks** are designed to optimize the everyday weighing activities. They can be mounted on any type of forklift in place of the original forks and allow to weigh the products during their transport and lifting, up to 2500 kg. There is no need to use other tools, now you can reduce work times, speed up processes and save on costs. A state-of-the-art technology that turns an ordinary truck into a mobile electric scale guaranteeing **high-level performance**. Available in approved version for legal-for-trade use.

Technical data



Capacity
2500 Kg



Accuracy
0,1%



Installation
3rd party forklifts



Printer



Approved version

PLUG & PLAY INSTALLATION

Each fork can be installed in few and easy steps. It is also possible to remove and install on a different truck.

ADVANCED PRECISION

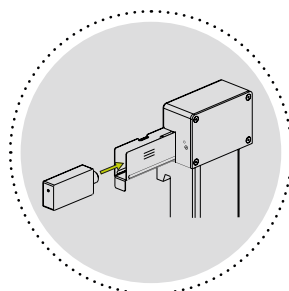
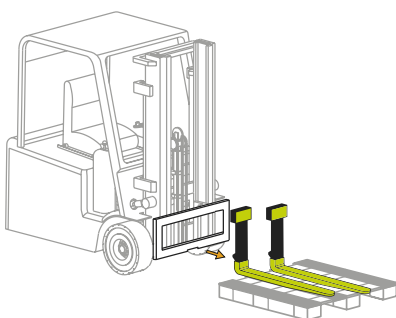
Thanks to weight acquisition load cell technology combined to the last generation software, the system guarantees 0,1% accuracy up to 2500kg.

APPLICATIONS

- PICKING
- STOCK HANDLING
- IN-COMING GOODS CHECK
- CROSS DOCKING



Additional information



LONG TIME BATTERY

With Lithium battery and low-consumption Bluetooth communication up to 90h autonomy.

CONVENIENT RETROFIT SOLUTION FOR STACKERS AND FORKLIFTS

PRESSURE SCALE SYSTEM

This **innovative system** is a fast and practical solution to weigh products during transportation. It shows the weight of the loads lifted in a very short time and is specific when you need to weigh the material handled directly on the spot, thus saving time and reducing the traffic in the warehouse. It is specifically designed for those who are looking for a quality **cost-effective weighing solution**.

Technical data



Capacity

4000 PSI / 280 bar



Accuracy

+/-20 kg



Installation

Lifter by **Pramac**
Stackers



Installation

3rd party forklifts



Printer

CONVENIENT PLUG & WEIGH

A convenient weighing solution which allows you to quickly trace the weight of the lifted loads.

EASY INSTALLATION

Quick and easy to install through a T-junction and convenient to view thanks to the adjustable bracket.

APPLICATIONS

Perfect solution when you want to increase the level of safety by tracking the weight to prevent overloads and does not require a high degree of accuracy.



Additional information

SAFETY

The display sends an instability error message that indicates if the load is not in the correct position. It alerts the operator as well to overloads thus avoiding dangerous movements and overturning.



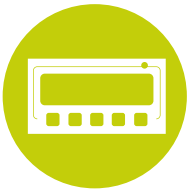
PRESSURE SCALE SYSTEM: APPLICATIONS

STACKER ACCESSORY

Convenient option for our wide range of electric stackers



Available for the stacker range as an accessory or retrofit



Dedicated software for Lifter by Pramac stackers



FORKLIFT RETROFIT

Applicable on every kind of third party forklift as retrofit solutions



Easy installation 3rd party forklifts



Dedicated software for forklifts trucks

SCALE HAND PALLET TRUCKS

The scale pallet trucks are equipped with **functional and precise** weighing system with several operating options, suitable for lifting heavy loads.

GS/P25 The intelligent scale pallet truck

The GS/P25 has a high load capacity of 2500kg and a wide range of built-in functions such as the items counter and the load totalization indicator. It may also be supplied with thermal printer or USB. Available in approved version for legal-for-trade use.

Technical data



Capacity
2500 Kg



Accuracy
0,05%



Forks
1185x555 mm



Tailored solutions
For all forks length

Optional



Printer



USB

CE M

Approved version



PX25/PX20 Simple and precise weighing pallet truck

The PX25 and PX20 are robust and precise tools to be used for weighing of transported loads. The professional model PX25 features 2500 kg load capacity and a large display for easy reading of the load weight, while the basic PX20 is designed for loads up to 2000 kg.

Technical data PX25



Capacity
2500 Kg



Accuracy
0,05%

Technical data PX20



Capacity
2000 Kg



Accuracy
0,1%



Other Versions



Inox Version Suitable for working in environments where cleanliness and hygiene are the most requested values (GS/P25).

Agile Version combining electric and manual function for convenient usability (GS/P25 and PX25).

SCALE ELECTRIC SCISSOR LIFT

HX10E SCALE

The intelligent pallet truck that makes possible an easy weigh and guarantee maximum of ergonomics and safety. It is designed with a precise and intuitive scale device that permits to weigh the loads at the same time, making it functional in all internal weighing operations. When lifted, it becomes a **practical work platform**, which is suitable for places such as machine workshops. This pallet truck is also able to carry out the support function and material supply along the assembly and production lines.

Technical data



Capacity
1000 Kg



Accuracy
0,05%



Lift
Up to 800 mm



Forks
1185x565 mm



Tailored solutions
For all forks length

ERGONOMICS

The machine is provided with a special 3D superior ergonomic shape tiller. Compared to a conventional tiller, this shape allows the operator to have a good position when pushing the loads with maximum efficiency without fatigue.

HIGH PERFORMANCE

Thanks to weight acquisition load cell technology combined to the last generation software, HX10E scale guarantees 0,05% accuracy up to 1000 kg.

DISPLAY

The LCD display is not fixed but can be adjusted for convenient functionality and usability: it can be rotated up to 270° towards the tiller to follow the operator in different loading and unloading situations.

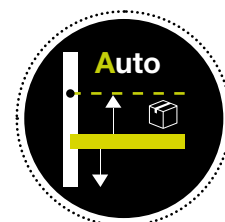


Optional

AUTOLEVELLING SYSTEM

Effortless convenience with the automatic system that, by means of a sensor, adjusts the height of the forks keeping constant the desired working height.

The operator does not need to make any effort since the workplace will be always at his fingertip.



Distributed by



Pramac is a leading supplier of competitive material handling products, branded **Lifter by Pramac**, internationally recognized for its quality and performance.

WE ARE THE ENERGY GENERATION!

www.lifter.it | www.pramac.com | www.pramacparts.com

The product images shown are for illustration purposes only and may not be an exact representation of the product. The manufacturer reserves the right to introduce changes to models and features without prior notice.
EN/12_2021_rev.1

